

They are rotary vane vacuum pumps, lubricated with oil recirculation, with a suction flow rate of 25 m³/h.

Characterized by a simple construction, they are robust and well-cooled.

The lubrication is adjustable by using two drop oilers located at the support bearings.

In this version, there is a cartridge-type oil separator filter installed at the exhaust, which significantly reduces smoke emissions.

The pump rotor and shaft are a single piece, supported by independent bearings mounted within the two pump end flanges. The pump and electric motor are thus two independent units, fixed to a dedicated support and connected to each other by an elastic coupling.

The RMS and RML series pumps are supplied with single-phase or three-phase electric motors (UL-CSA certified).

Upon request, the pumps can be supplied with ATEX-certified motors, with special voltages and frequencies, or without motor.

The pump is cooled by a radial fan located between the motor and the pump.

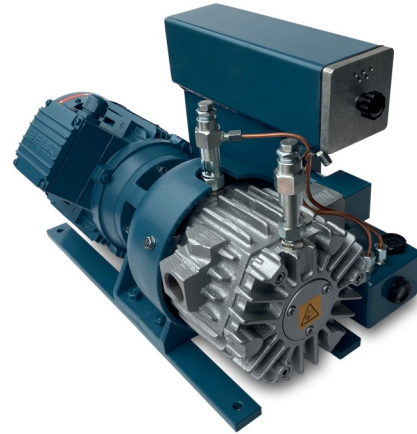
On the pump discharge, there is an oil recovery tank containing a separator filter that prevents the formation of oil mists and reduces noise.

Use and installation

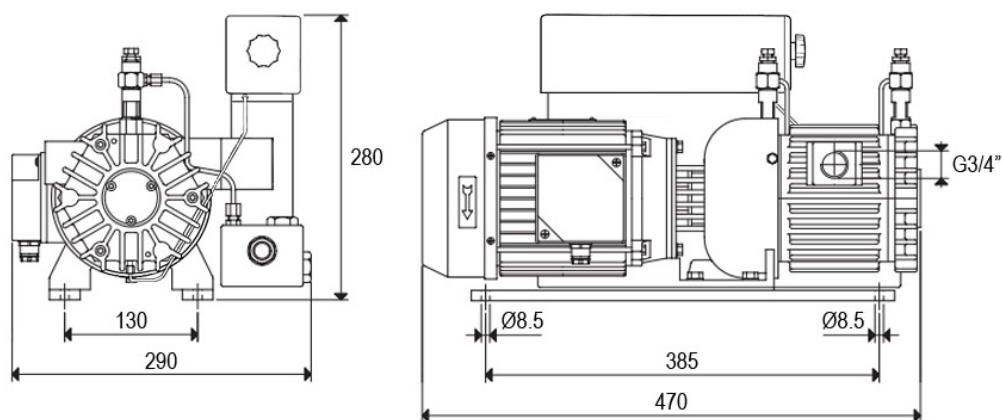
The use of these pumps is essential when the fluid to be aspirated contains solvent vapors, water condensates, or any other substances that could contaminate the lubricating oil.

For the installation of OMMER vacuum pumps, it is sufficient to connect them to the vacuum circuit and set up the electrical connection to the motor.

Please ensure the correct rotation direction of the pump.



| 025RMLD | | | |
|-------------------|-------------------|------------|------------|
| Frequency | | 50Hz | 60Hz |
| Flow rate | m ³ /h | 25 | 30 |
| Ultimate pressure | mbar | 65 | |
| Motor performance | 3~ | 230/400±5% | 265/460±5% |
| Volt | 1~ | 230±5% | |
| Motor power | 3~ | 0,75 | 0,90 |
| kW | 1~ | 0,75 | |
| Motor protection | IP | 55 | |
| Rotation speed | rpm | 1450 | 1750 |
| Motor shape | | B14 | |
| Motor size | | 80 | |
| Weight | kg | 33 | |



Data and dimensions are not mandatory. O.M.M.E.R. S.r.l. reserves the right to make changes and improvements at any time and without notice.

